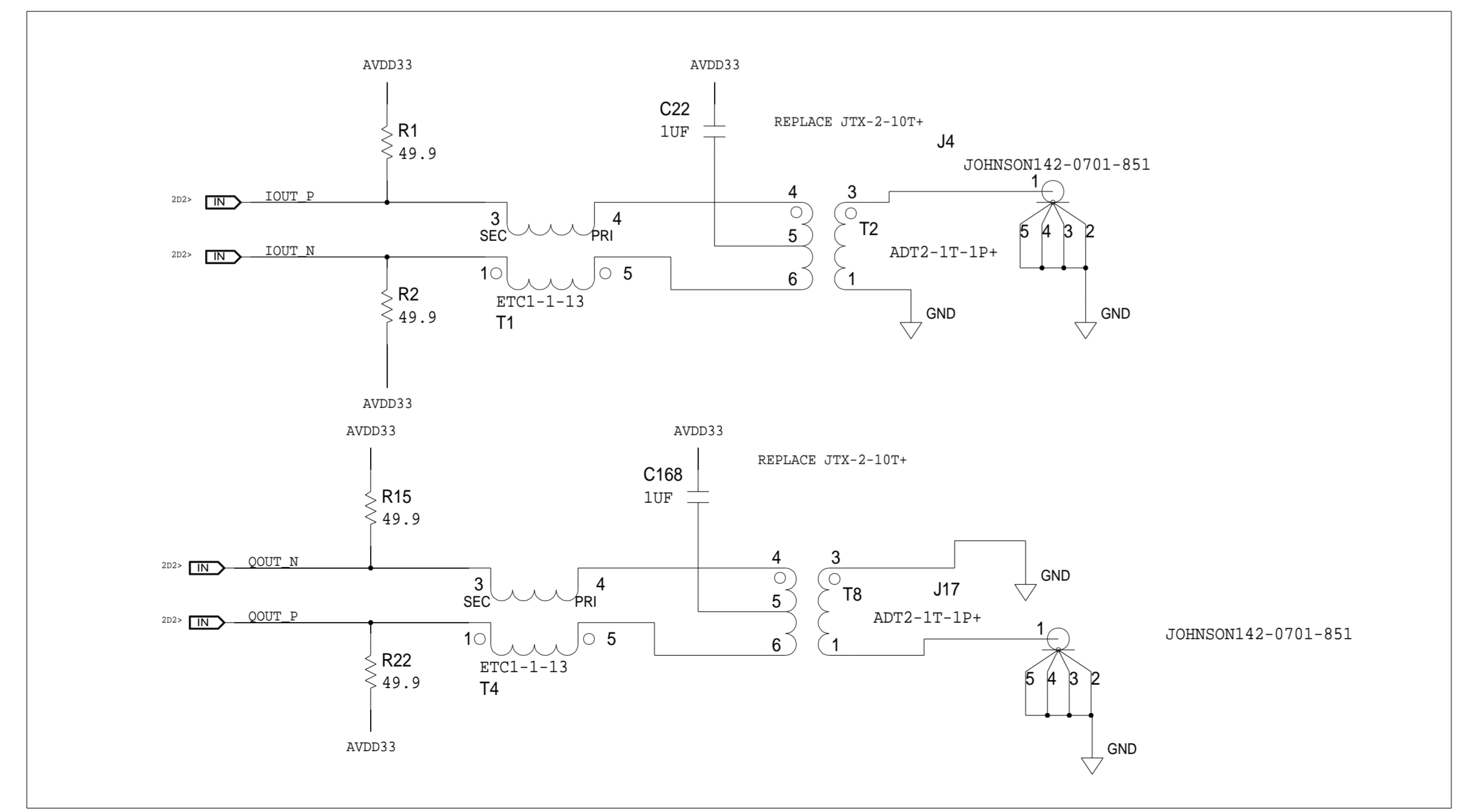
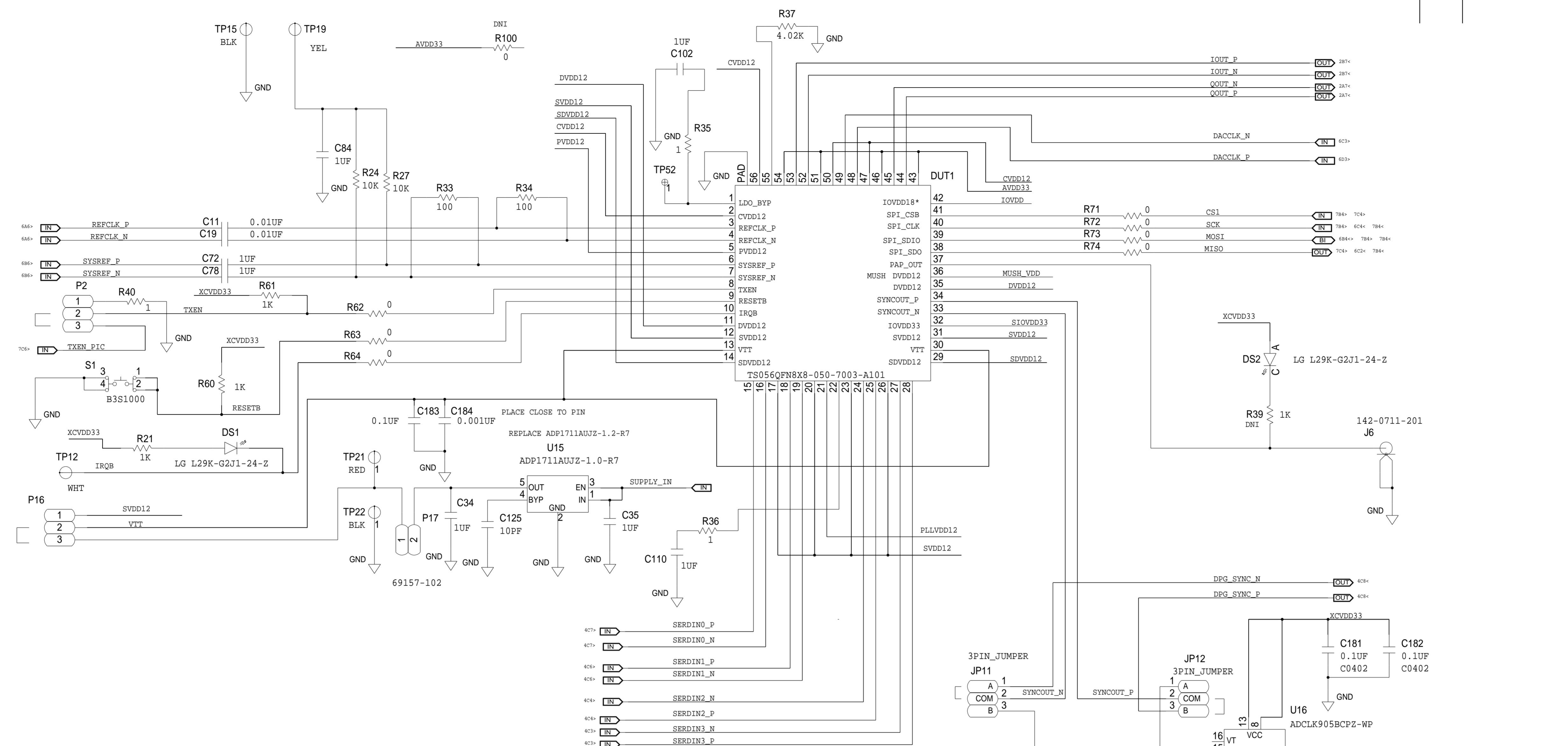


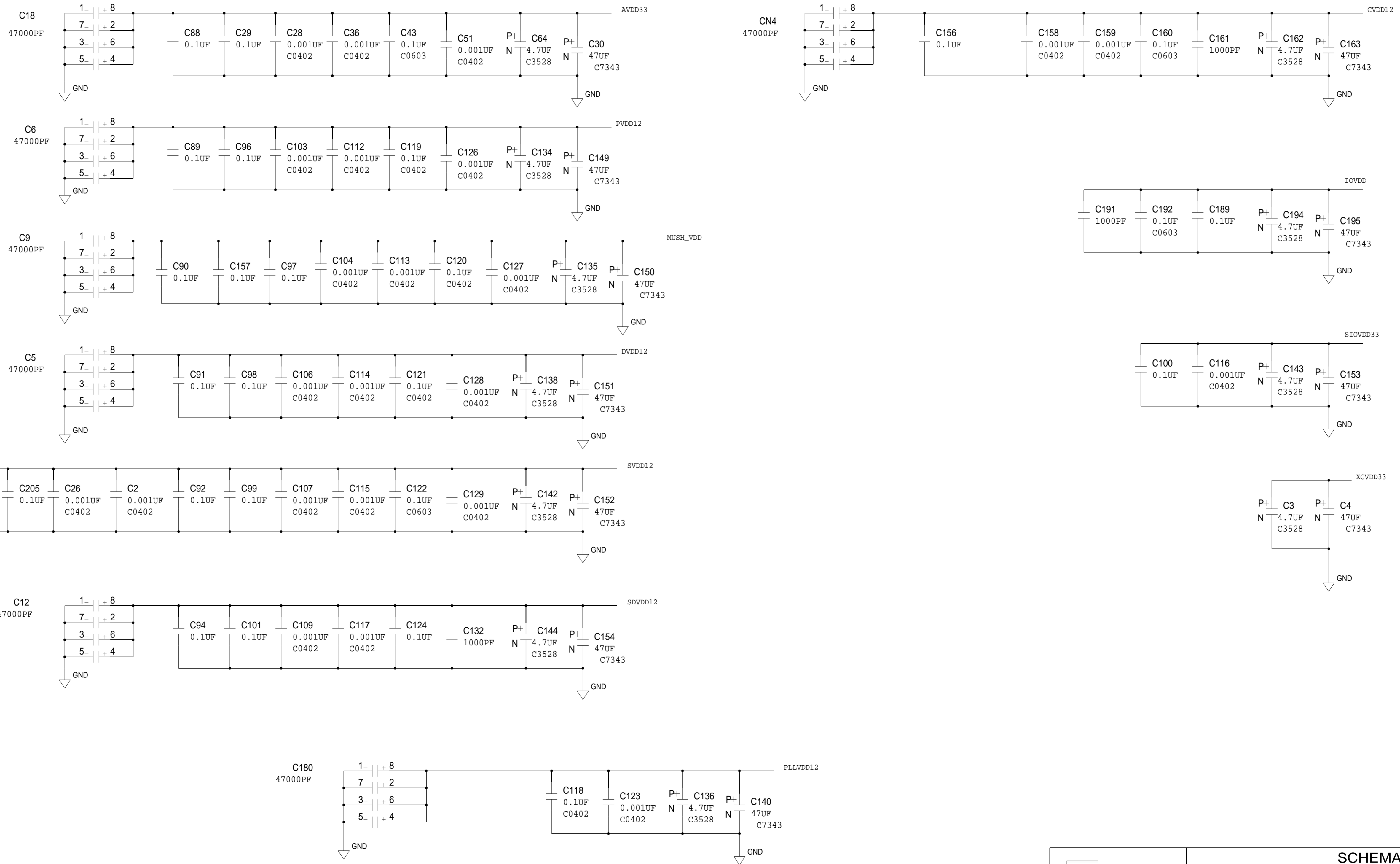
REVISIONS			
REV	DESCRIPTION	DATE	APPROVED



PIN NUM	2ND FUNCTION
1	AUXDAC
56	AUXDAC
8	EFUSE_PGM
9	EFUSE_EXIT
12	VDDQ
38	EFUSE_DOUT
39	EFUSE_DIN
40	EFUSE_CLK
41	EFUSE_CSB

	SCHEMATIC		
	AD9152 EBZ AD9152 AD9152 AD9152 DUT		
DESIGN VIEW <DESIGN_VIEW>	DRAWING NO. 13042A	REV B	
PTD ENGINEER <PTD_ENGINEER>	SIZE D	SCALE 1:1	SHEET 2 OF 7

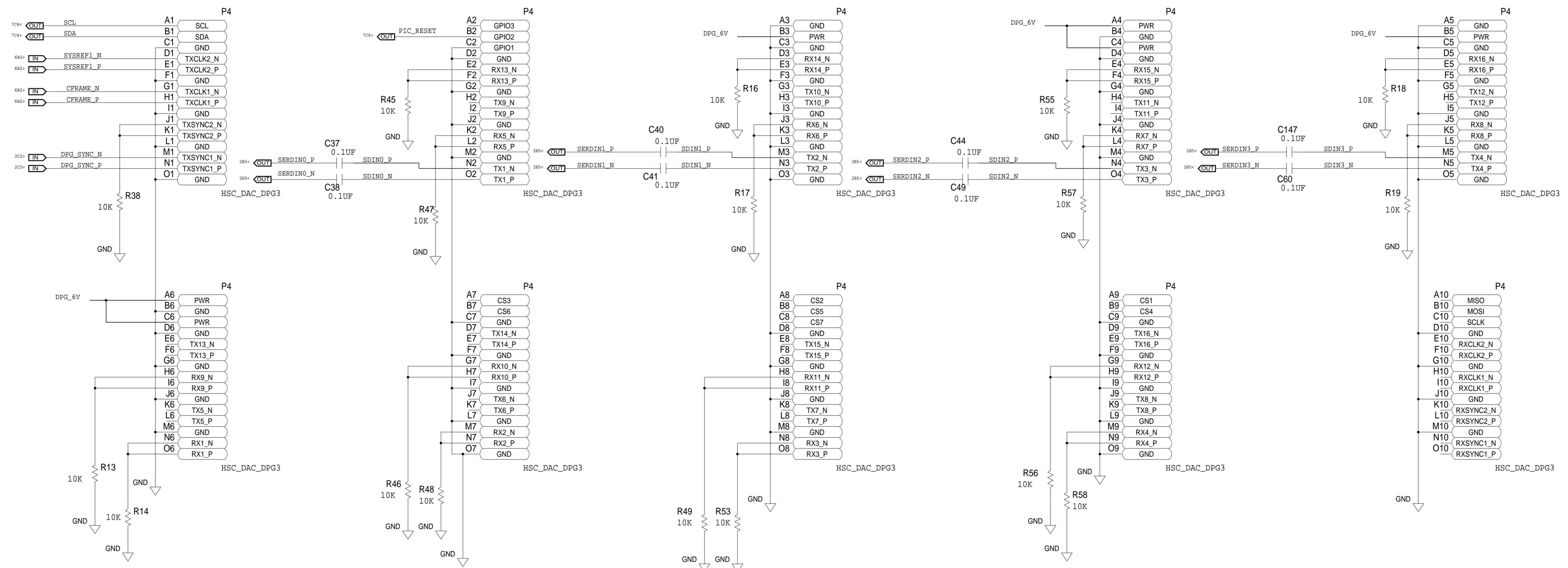
REVISIONS			
REV	DESCRIPTION	DATE	APPROVED



SCHEMATIC				
ANALOG DEVICES		AD9152 EBZ AD9152 AD9152		
DESIGN VIEW <DESIGN_VIEW>		DRAWING NO. 13042A		REV B
PTD ENGINEER <PTD_ENGINEER>		SIZE D	SCALE 1:1	SHEET 3 OF 7

THIS DRAWING IS THE PROPERTY OF ANALOG DEVICES INC. IT IS NOT TO BE REPRODUCED OR COPIED, IN WHOLE OR IN PART, OR USED IN ANY MANNER WITHOUT THE WRITTEN PERMISSION OF ANALOG DEVICES. THE EQUIPMENT SHOWN HEREIN MAY BE PROTECTED BY PATENTS OWNED OR CONTROLLED BY ANALOG DEVICES.

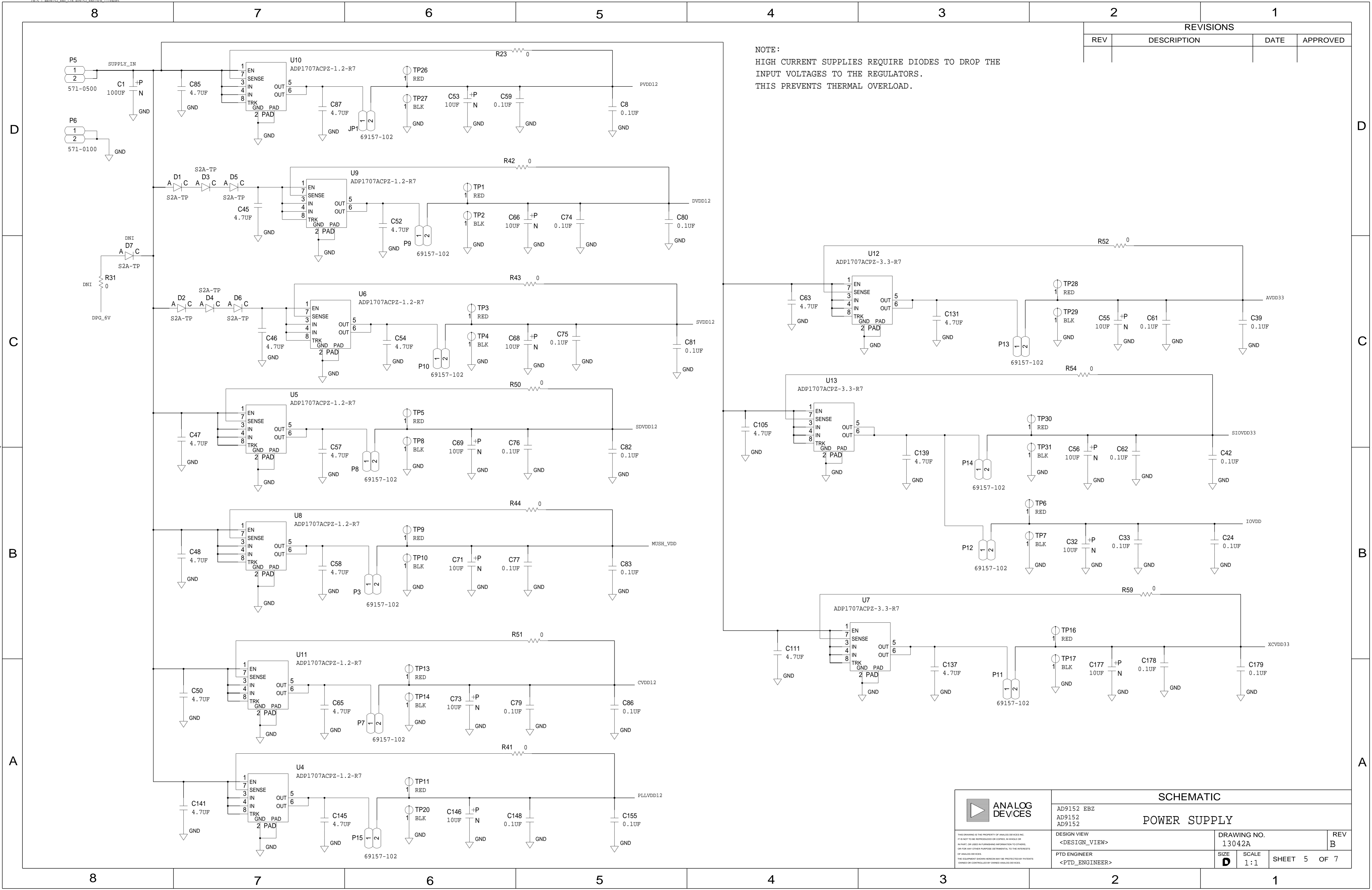
REVISIONS			
REV	DESCRIPTION	DATE	APPROVED



	SCHEMATIC		
	AD9152 EBZ AD9152 AD9152		
	DPG3 CON		
	DESIGN VIEW <DESIGN_VIEW>	DRAWING NO. 13042A	REV B
PTD ENGINEER <PTD_ENGINEER>	SIZE D	SCALE 1:1	
SHEET 4 OF 7		1	

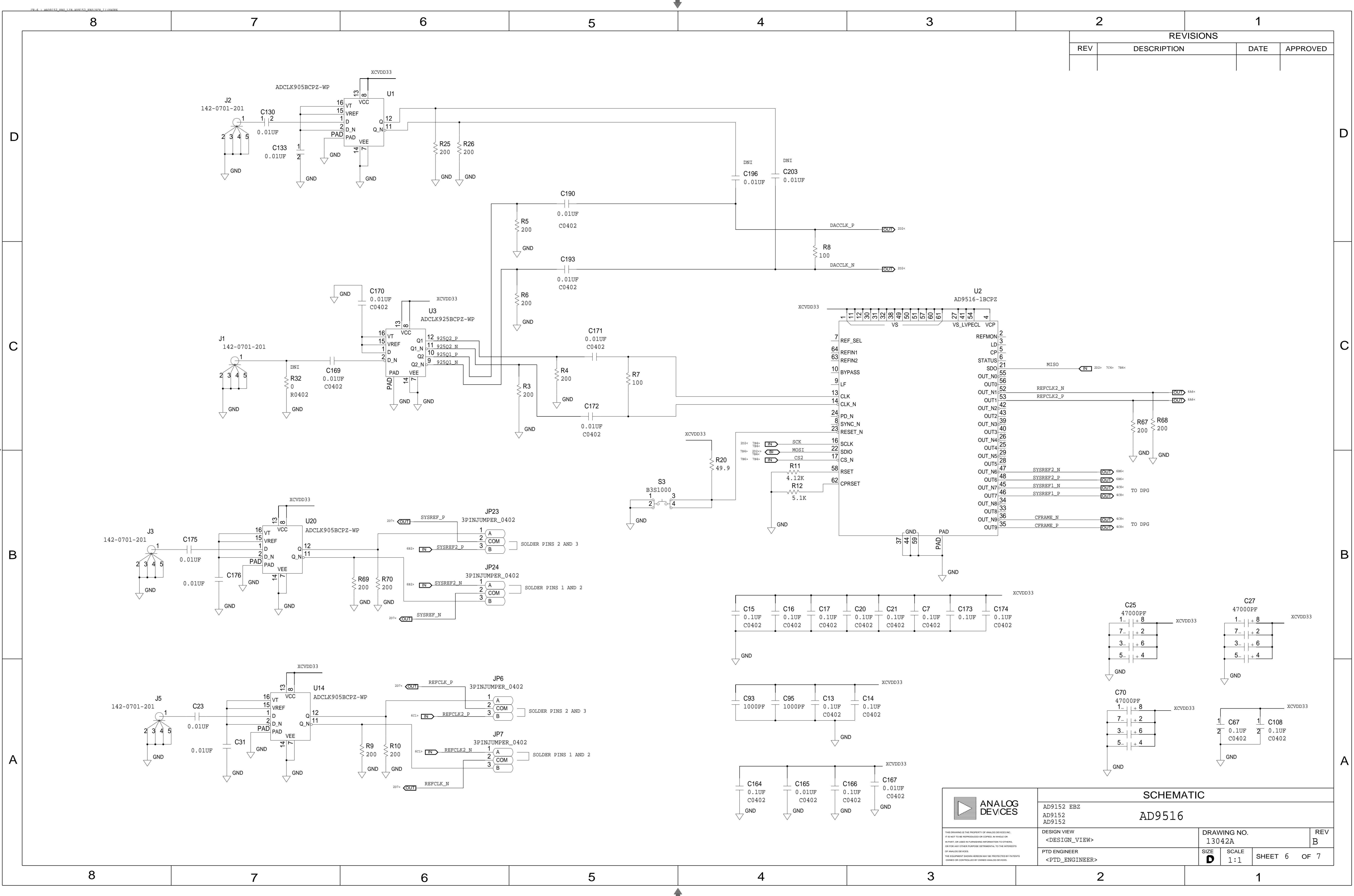
REVISIONS			
REV	DESCRIPTION	DATE	APPROVED

NOTE:
HIGH CURRENT SUPPLIES REQUIRE DIODES TO DROP THE INPUT VOLTAGES TO THE REGULATORS.
THIS PREVENTS THERMAL OVERLOAD.



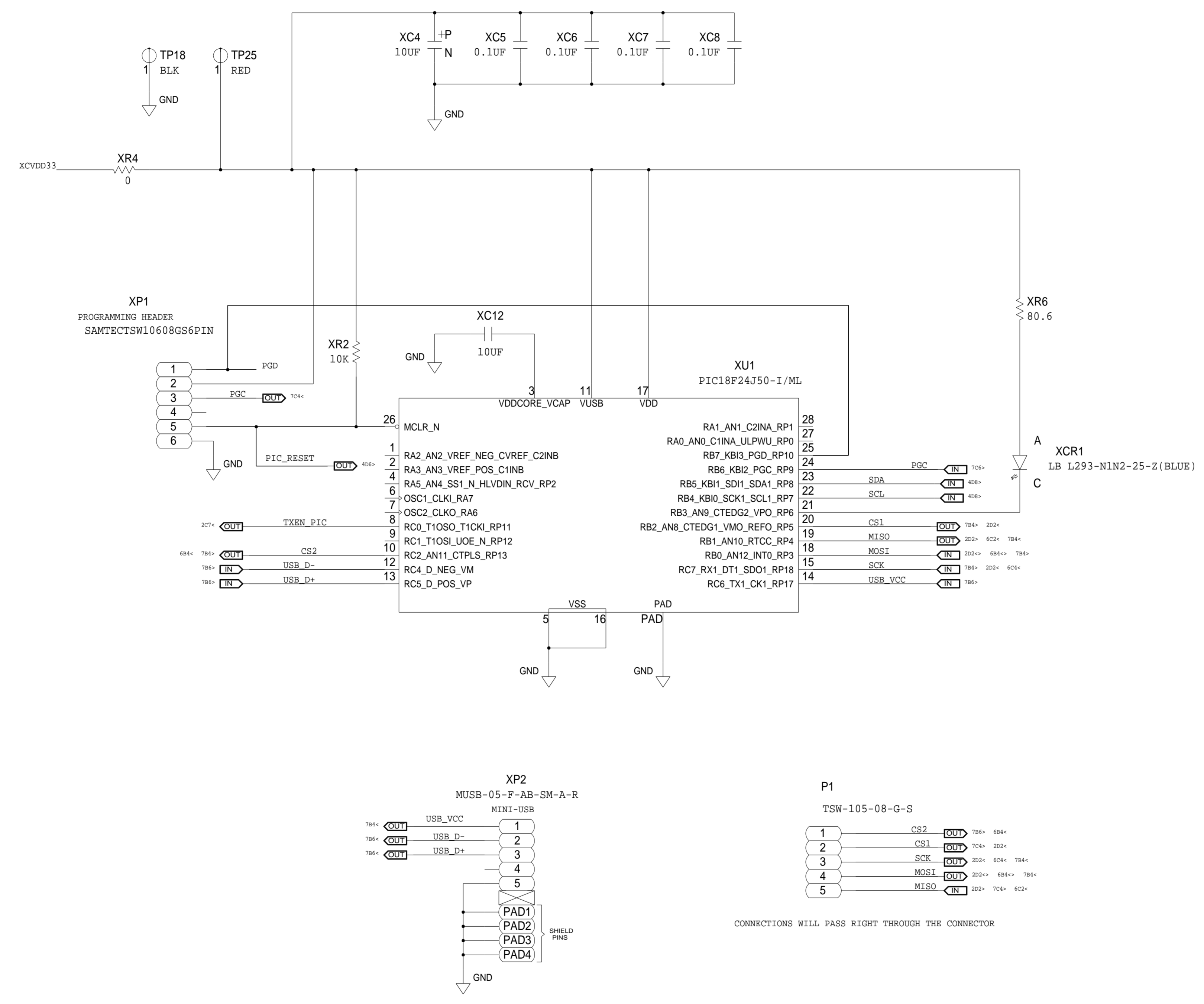
	SCHEMATIC		
	POWER SUPPLY		
AD9152 EBZ AD9152 AD9152	DESIGN VIEW <DESIGN_VIEW>	DRAWING NO. 13042A	REV B
PTD ENGINEER <PTD_ENGINEER>	SIZE D	SCALE 1:1	SHEET 5 OF 7

REVISIONS			
REV	DESCRIPTION	DATE	APPROVED



	SCHEMATIC		
	AD9152 EBZ AD9152 AD9152		
	DESIGN VIEW <DESIGN_VIEW>		DRAWING NO. 13042A
	PTD ENGINEER <PTD_ENGINEER>		REV B
SIZE D	SCALE 1:1	SHEET 6 OF 7	

REVISIONS			
REV	DESCRIPTION	DATE	APPROVED



4-WIRE SPI VERSION

	SCHEMATIC		
	AD9152 EBZ AD9152 AD9152		
	USB CONTROLLER		
	DESIGN VIEW <DESIGN_VIEW>	DRAWING NO. 13042A	REV B
PTD ENGINEER <PTD_ENGINEER>	SIZE D	SCALE 1:1	
		SHEET 7 OF 7	

THIS DRAWING IS THE PROPERTY OF ANALOG DEVICES INC. IT IS NOT TO BE REPRODUCED OR COPIED, IN WHOLE OR IN PART, OR USED IN FURNISHING INFORMATION TO OTHERS, OR FOR ANY OTHER PURPOSE DETRIMENTAL TO THE INTERESTS OF ANALOG DEVICES. THE EQUIPMENT SHOWN HEREON MAY BE PROTECTED BY PATENTS OWNED OR CONTROLLED BY ANALOG DEVICES.