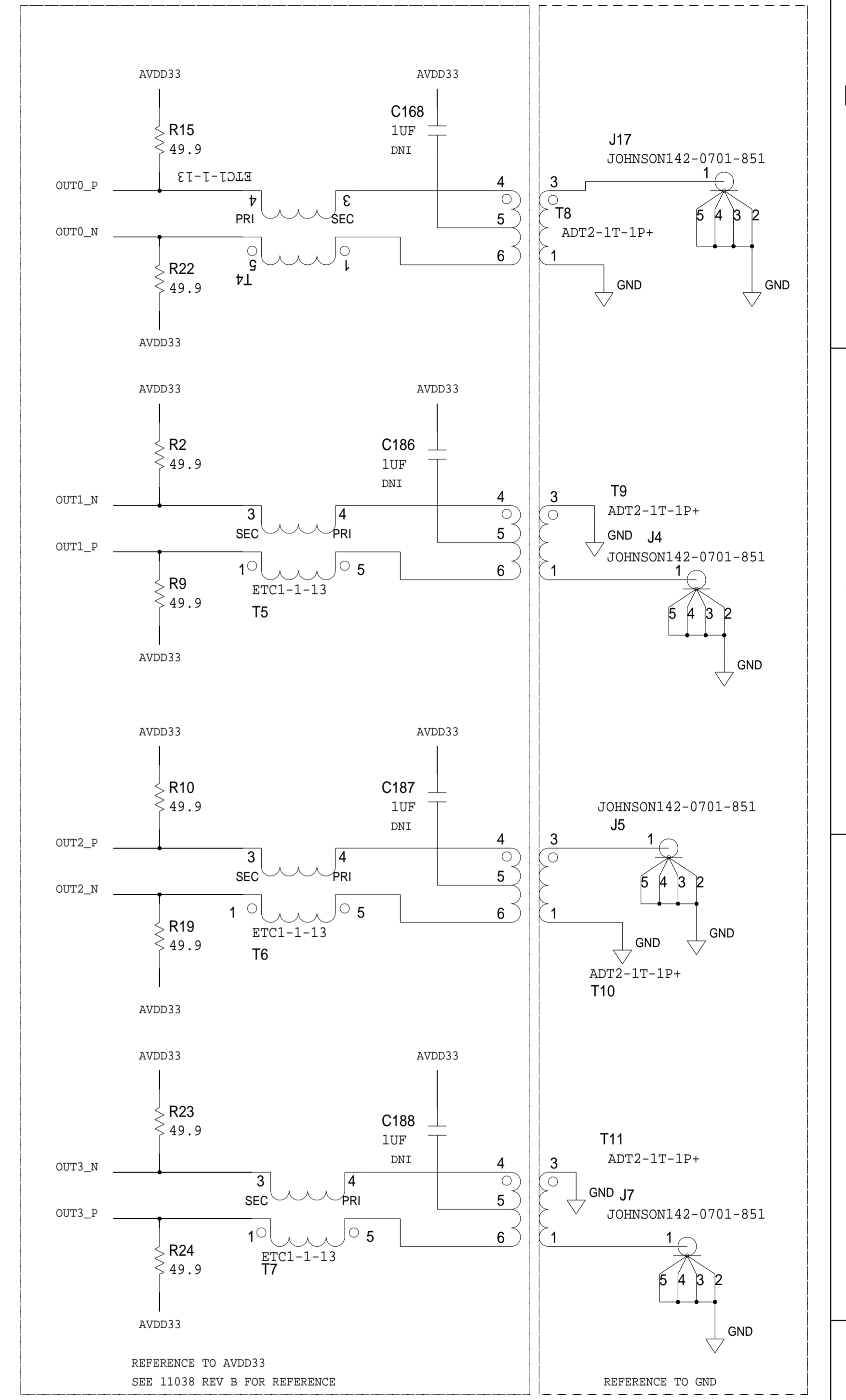
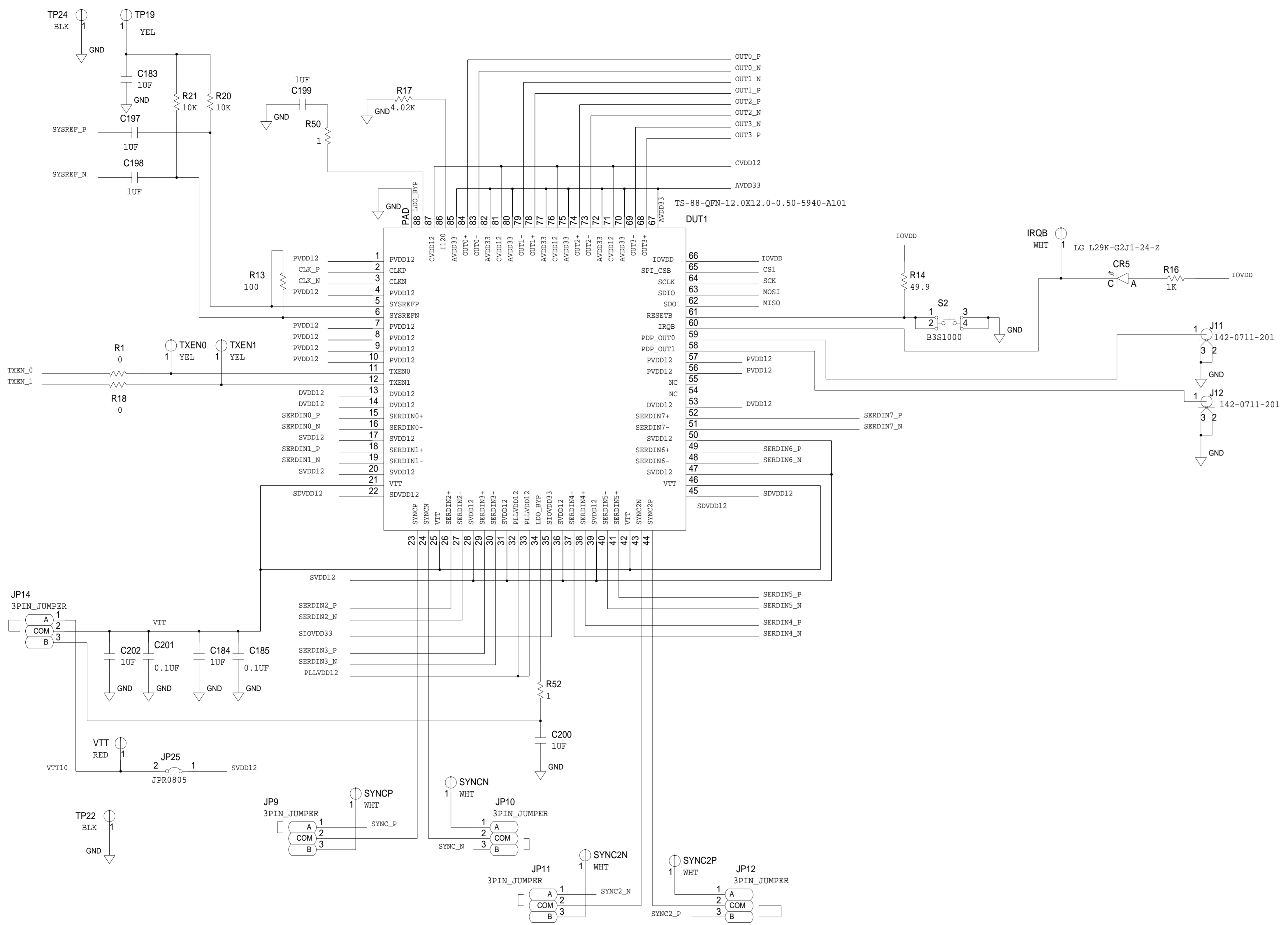


REVISIONS			
REV	DESCRIPTION	DATE	APPROVED



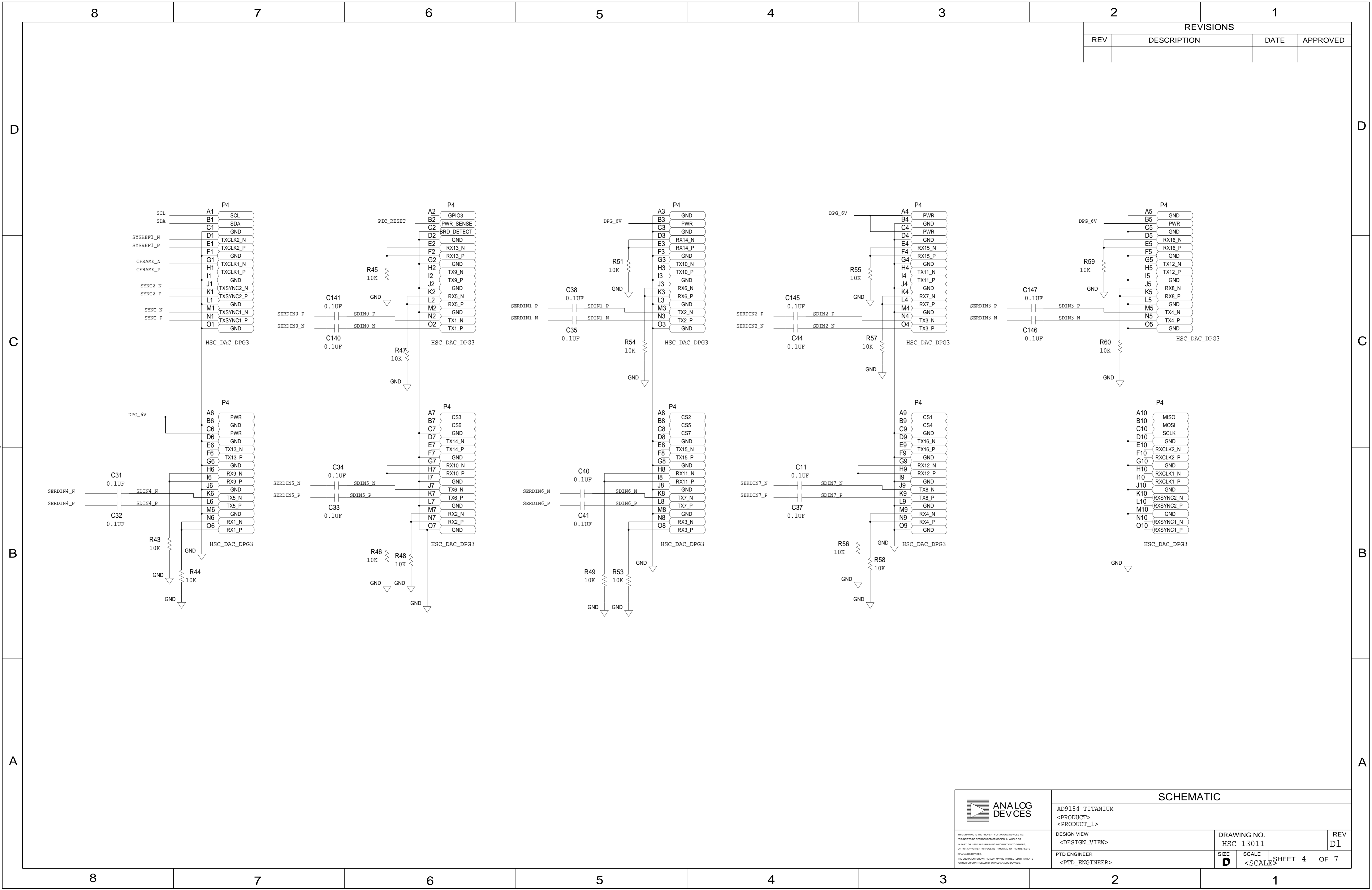
	SCHEMATIC		
	AD9154 TITANIUM <PRODUCT> <PRODUCT_1>		
	DESIGN VIEW <DESIGN_VIEW>	DRAWING NO. HSC 13011	REV D1
	PTD ENGINEER <PTD_ENGINEER>	SIZE D	SCALE <SCALE>

THIS DRAWING IS THE PROPERTY OF ANALOG DEVICES INC. IT IS NOT TO BE REPRODUCED OR COPIED IN WHOLE OR IN PART, OR USED IN ANY MANNER THAT WOULD BE DETRIMENTAL TO THE INTERESTS OF ANALOG DEVICES. THE EQUIPMENT SHOWN HEREIN MAY BE PROTECTED BY PATENTS OWNED OR CONTROLLED BY ANALOG DEVICES.

REFERENCE TO AVDD33
SEE 11038 REV B FOR REFERENCE

REFERENCE TO GND

REVISIONS			
REV	DESCRIPTION	DATE	APPROVED



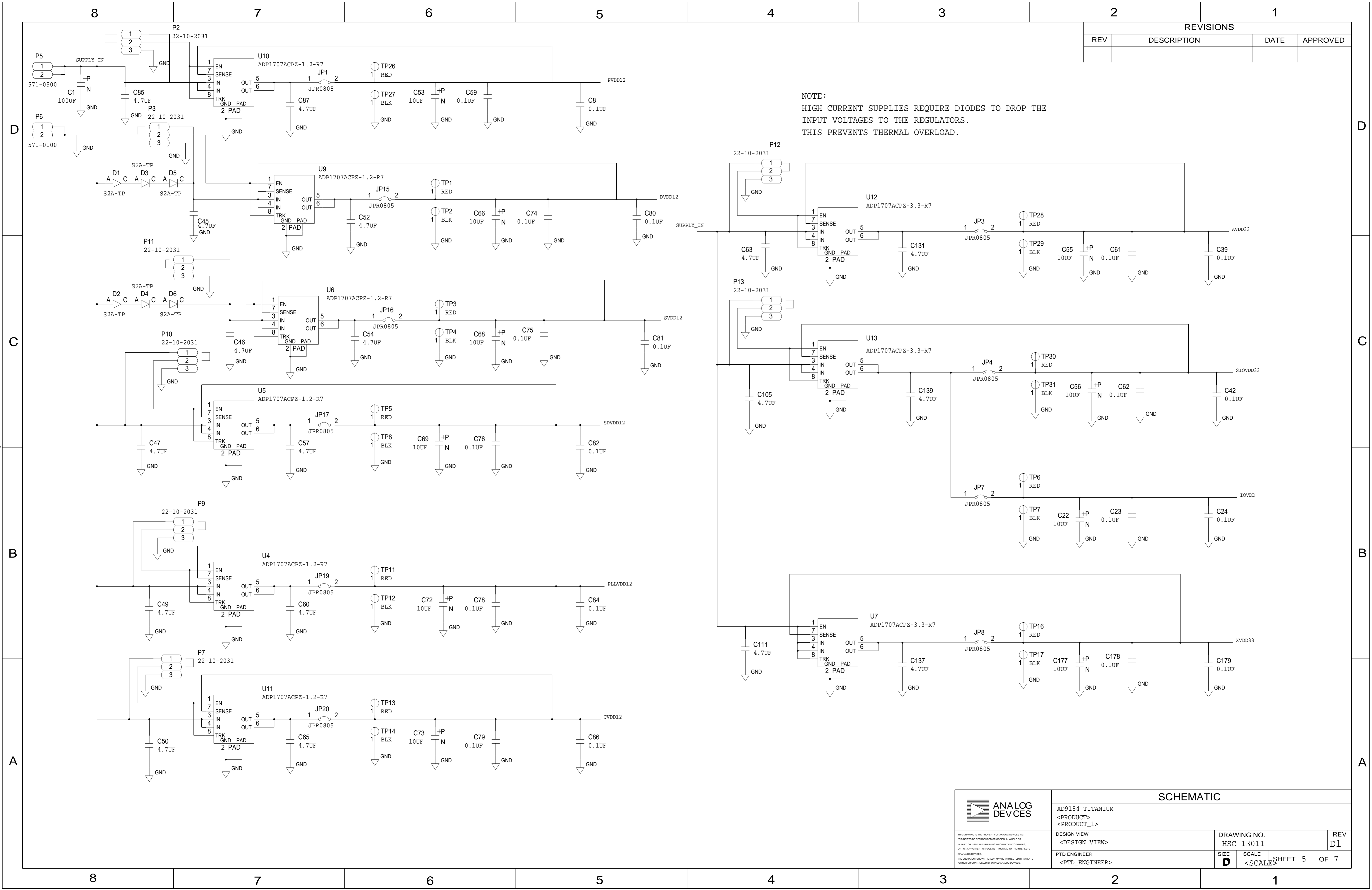
	SCHEMATIC		
	AD9154 TITANIUM <PRODUCT> <PRODUCT_1>		
	DESIGN VIEW <DESIGN_VIEW>	DRAWING NO. HSC 13011	REV D1
	PTD ENGINEER <PTD_ENGINEER>	SIZE D	SCALE <SCALE>

THIS DRAWING IS THE PROPERTY OF ANALOG DEVICES INC. IT IS NOT TO BE REPRODUCED OR COPIED, IN WHOLE OR IN PART, OR USED IN FURNISHING INFORMATION TO OTHERS, OR FOR ANY OTHER PURPOSE DETRIMENTAL TO THE INTERESTS OF ANALOG DEVICES. THE EQUIPMENT SHOWN HEREON MAY BE PROTECTED BY PATENTS OWNED OR CONTROLLED BY ANALOG DEVICES.

SHEET 4 OF 7

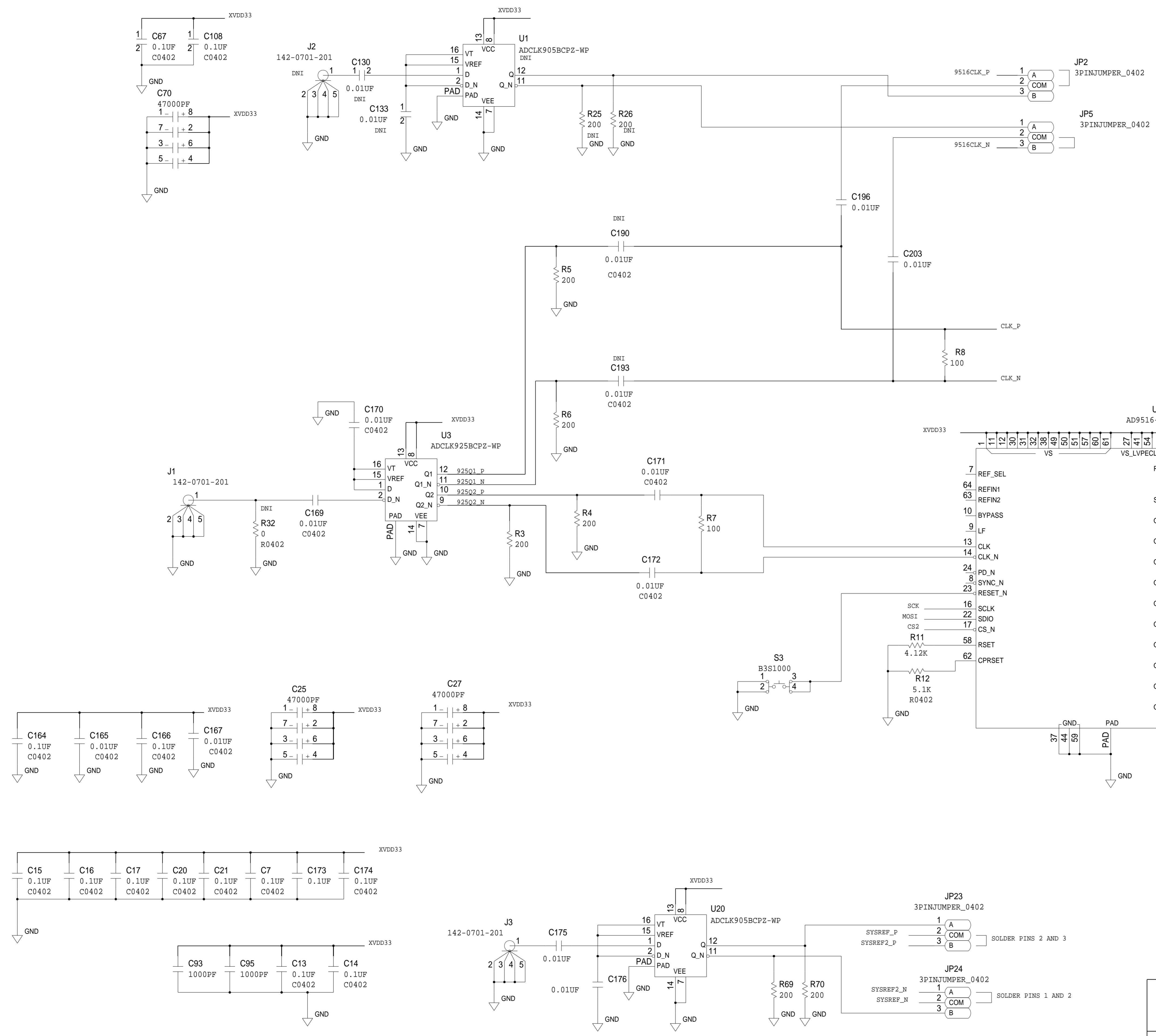
REVISIONS			
REV	DESCRIPTION	DATE	APPROVED

NOTE:
HIGH CURRENT SUPPLIES REQUIRE DIODES TO DROP THE INPUT VOLTAGES TO THE REGULATORS.
THIS PREVENTS THERMAL OVERLOAD.



	SCHEMATIC		
	AD9154 TITANIUM <PRODUCT> <PRODUCT_1>		
	DESIGN VIEW <DESIGN_VIEW>	DRAWING NO. HSC 13011	REV D1
	PTD ENGINEER <PTD_ENGINEER>	SIZE D	SCALE <SCALE>

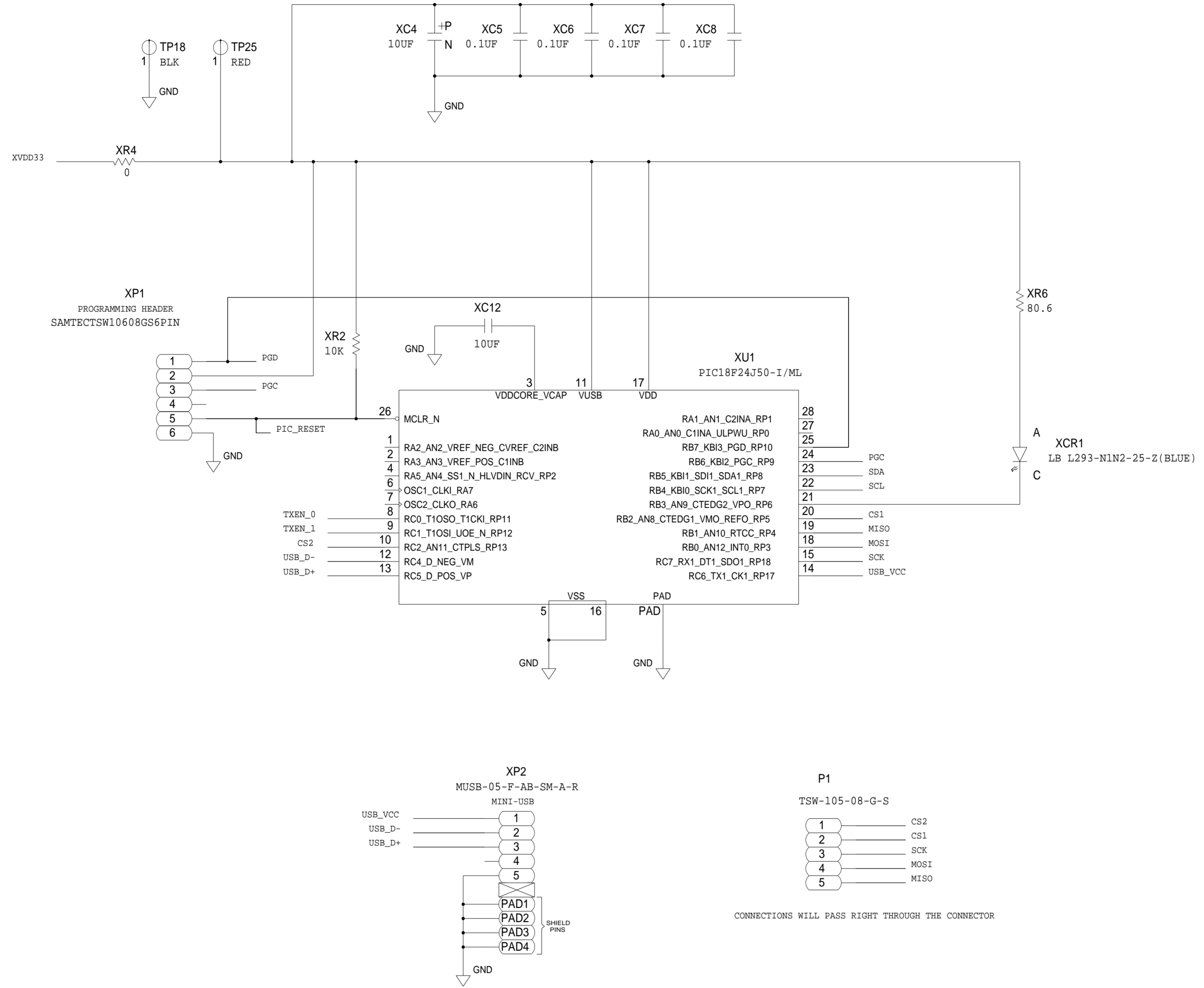
REVISIONS			
REV	DESCRIPTION	DATE	APPROVED



	SCHEMATIC		
	AD9154 TITANIUM <PRODUCT_1> <PRODUCT_1>		
	DESIGN VIEW <DESIGN_VIEW>	DRAWING NO. HSC 13011	REV D1
	PTD ENGINEER <PTD_ENGINEER>	SCALE <SCALE>	SHEET 6 OF 7

THIS DRAWING IS THE PROPERTY OF ANALOG DEVICES INC. IT IS NOT TO BE REPRODUCED OR COPIED, IN WHOLE OR IN PART, OR USED IN FURNISHING INFORMATION TO OTHERS, OR FOR ANY OTHER PURPOSE DETRIMENTAL TO THE INTERESTS OF ANALOG DEVICES. THE EQUIPMENT SHOWN HEREIN MAY BE PROTECTED BY PATENTS OWNED OR CONTROLLED BY ANALOG DEVICES.

REVISIONS			
REV	DESCRIPTION	DATE	APPROVED



4-WIRE SPI VERSION

	SCHEMATIC		
	AD9154 TITANIUM		
	<PRODUCT>		
	<PRODUCT_1>		
DESIGN VIEW	DRAWING NO.	REV	
<DESIGN_VIEW>	HSC 13011	D1	
PTD ENGINEER	SIZE	SCALE	SHEET 7 OF 7
<PTD_ENGINEER>	D	<SCALE>	